

INTERFIRE®

Products for Safety and Transparent Fire Protection

General data of glass:

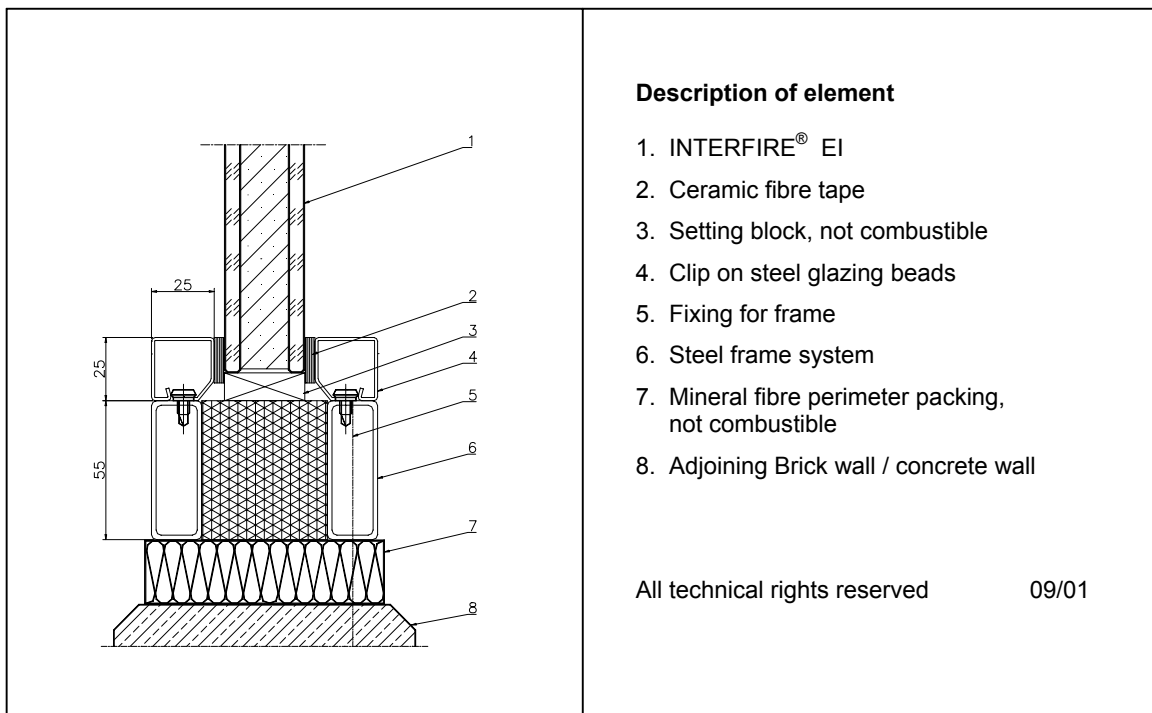
| | |
|--------------------|---------------------------|
| Thickness of glass | 32 mm ± 1 mm |
| Amax production | 1400 x 2200 mm |
| Amin production | 200 x 300 mm |
| Tolerance size | ± 2 mm |
| Weight | ca. 56 kg /m ² |
| Light transmission | 82% |
| Sound control | ca. 45 dB |
| UV-resistance | Regulation ECE 43 |
| Safety glass | according EN 12150 |

System INTERFIRE®

EI 60 - single glass

INTERFIRE® EI is a symmetric fire resistant safety glass with high mechanical strength for the application in safety glazings.

INTERFIRE® EI is classified as EI 60 according to EN 13501 based on fire tests carried out under EN 1363/1364



Description of element

1. INTERFIRE® EI
2. Ceramic fibre tape
3. Setting block, not combustible
4. Clip on steel glazing beads
5. Fixing for frame
6. Steel frame system
7. Mineral fibre perimeter packing, not combustible
8. Adjoining Brick wall / concrete wall

All technical rights reserved

09/01

Assessment

| | |
|-----------------------|------------------------|
| Assessment Report | DIFT PH 12337e |
| Fire resistance class | EI 60 |
| Testnorm | EN 1363/1364 |
| Glass size max. | 1430 x 2030 mm ≥ 32 mm |

The installing company is bound to the glazing rules of the Assessment report PH 12337e. Especially the requirements of the glazing size, glazing materials and installation instructions have to be observed.